

# 16 STÖGRA power supplies

NT-power supplies are non stabilized voltage supplies. A power supply includes an isolated transformer, bridge rectifier, electrolytical capacitors, fuses, PTC for limiting the switch-on-current and it is mounted on an aluminium-mounting plate.

A discharging circuitry ensures, that the capacitors are discharged within 5s after disconnecting the power supply from the mains.

All connections are via screw terminals.

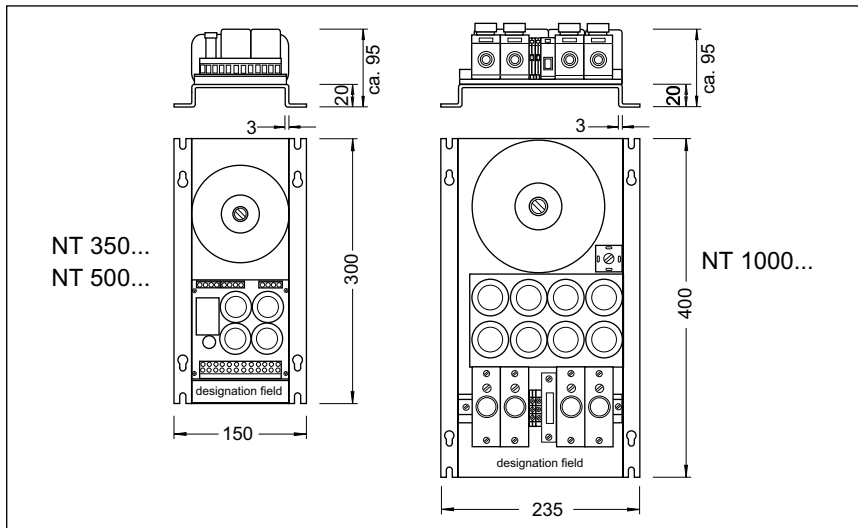
Multiple control amplifier boards may supplied by one NT-power supply, depending on total power needed.

The calculation of a power supply depends on motor operation – by taking into consideration the maximum load current for the motor (which also depends on the motor speed) and the duty cycle of the motor.

The protection class of the power supplies is IP00, therefore they must be mounted in a closed switch cabinet.

type	power	Einschaltdauer ED	input	output	weight
NT 350	350 VA	100%	230 VAC 50/60 Hz	24, 36, 60, 85 or 120 VDC	4,4 Kg
NT 500	500 VA	100%	230 VAC 50/60 Hz	24, 36, 60, 85 or 120 VDC	5,4 Kg
NT 1000	1000 VA	70%	230 VAC 50/60 Hz	60, 85 or 120 VDC	7,9 Kg

Power supplies with output 120VDC include a 60VDC and a 120VDC output.



Dimensions NT



Power supply NT500.120

### Power supply ordering key:

Example: The order number of a power supply with output 120VDC and 500VA power is NT 500.120

Power supplies for input 115VAC/60 Hz mains supply are available, to (ordering code for 500VA and output 120VDC is NT 500.120 / 115VAC)

