

Board holder KH-SE\_01

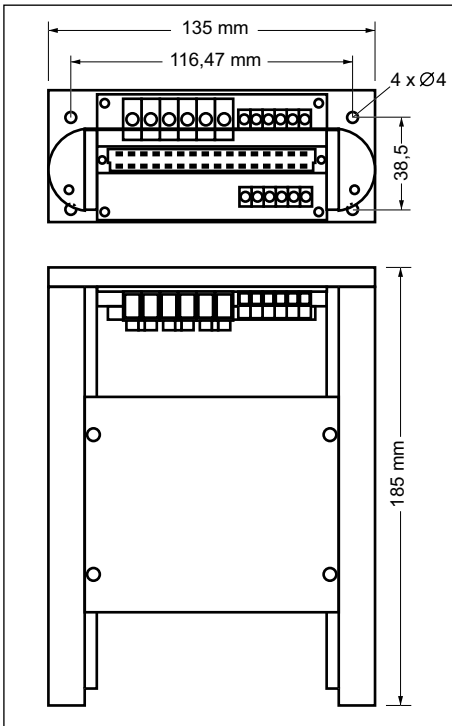
KH-SE\_01 with SE P05.06.85 V2

KH-SE\_01 with SERS 06.85 V04 H

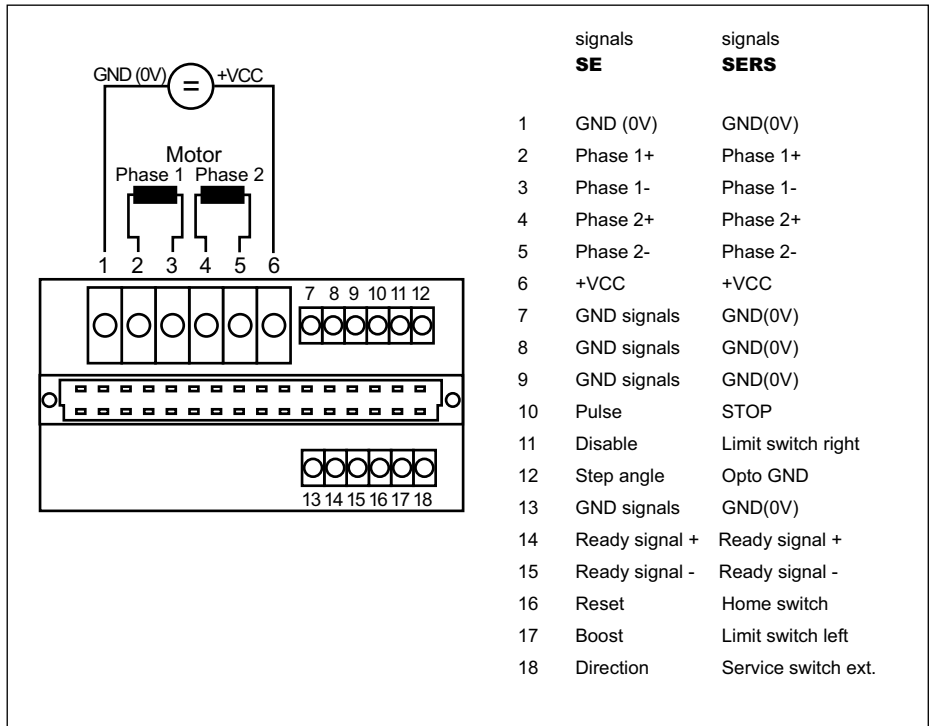
KH-SE\_01 with SERS 02.24 V04 E50

- Low cost plug board holder for all **STÖGRA** power amplifier boards series SE... and position controls series SERS... with 32-pole connector
- Easy mounting in switch cabinets
- Quick replacing of boards
- Ideal also for laboratory test operation
- All connections via screw terminals
- Robust design with screwed mounted PVC devices

**Dimensions**



**Connections**



**Front panels for power amplifier boards series SEE ...V3.. and SEE P05...V2**



- Front panels (16 TE) mounted on SE boards for using in ELK/ELR racks
- The SE-board LEDs can be seen and all switches can be operated from the front side
- ELK and ELR-racks with SE boards are closed at the front side by using the front panels (protection class IP20)

**Ordering key:**

SE...V3.. boards with front panel must be ordered as **SEE ... V3..**

SE P05 ...V2 boards with front panel must be ordered as **SEE P05...V2**

(an additional »E« must be placed after the first »SE« → SEE...)